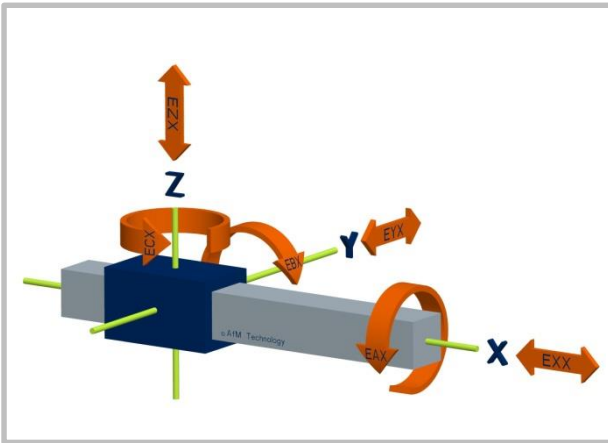


Volumetric Compensation FVC of machine tools with CNC FAGOR 8070

Don't be satisfied with less!



Customers

Our customers are machine tool builders, CNC control producers, retrofit companies as well as users incorporating machine tooling in their production line.

State-of-the-art

The accuracy of parts being produced is governed by the accuracy of the cartesian axes (X, Y, Z) of the machine tool.

The conventional methods used to establish machine tool deviations result in lengthy down time and therefore high costs. In most cases an additionally mechanical correction of the machine tool axes is necessary to resolve any deviations.

Innovation

With LaserTRACER Systems we are measuring the volumetric deviation in the whole workspace of the machine tool. The evaluation will be given as a detailed protocol with diagrams for each of the systematic deviations.

Positioning, straightness, squareness, pitch, yaw and roll errors (21 error parameters), as well as the 22nd and 23rd error, column bending / -roll at moving column machining centers, will be completely measured.

The software-option **FVC** (Fagor Volumetric Compensation) from company FAGOR Automation, allows a process correctionfile created by AfM, to be entered directly into the **CNC FAGOR 8070 / 8065** and from there it can be worked on online.

This results in a noticeable improvement of the volumetric accuracy in the entire workspace of the machine tool. Hereby the complicated mechanical correction of the machine tool can often be avoided.

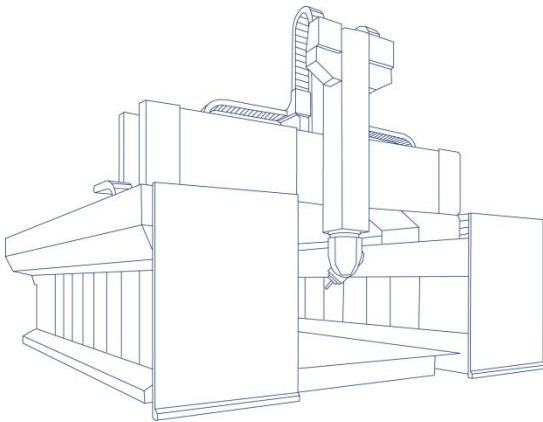
The compensation of column bending / -rolling at moving column machines is only possible with **FVC** from Fagor at the **CNC 8070 / 8065**

The possible increase of volumetric accuracy is more than 50%!

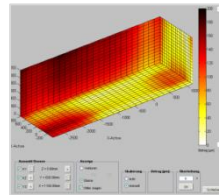
Your advantages

- Faster error mapping reduces down time and therefore costs
- An increase of volumetric accuracy of more than 50% through FVC in the FAGOR CNC 8070 / 8065 control
- Usually no mechanical correction is necessary, also after collisions
- Higher machine availability by Condition Monitoring

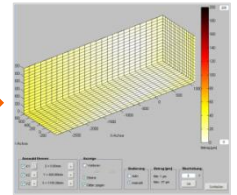
Volumetric Compensation of machine tools



3D deviation
without Compensation



3D deviation
with Compensation



Use of the most up-to-date laser technology

- Automated self-tracking laser interferometer with temperature stable construction.
- Highest accuracy through patented reference sphere.
- No complicated fine alignment on the machine tool.
- 4 – 6 measuring positions in the workspace of the machine tool for the evaluation of the complete volumetric deviation are required.
- Total time: approx. 4 - 6 hours
- Resolution: 0,001 μm
- Accuracy: 0,2 μm + 0,3 $\mu\text{m}/\text{m}$
- Range: 0,2 m – 15 m
(extendable by mathematical superposition)
- Principle: Multilateration

Our Services

- Fast, cost-effective, volumetric machine tool analysis
- Documentation of actual conditions
- Creation of Compensation files
- Verification of the compensated machine tool
- Standard machine calibrations
- Mechanical service and adjustment
- Training for LaserTRACER systems



AfM
Accuracy for Machines

AfM Technology GmbH
Gartenstraße 133
73430 Aalen
Germany

Fon +49 (0) 73 61 88 96 08-0
Fax +49 (0) 73 61 88 96 08-99
www.afm-tec.de
info@afm-tec.de